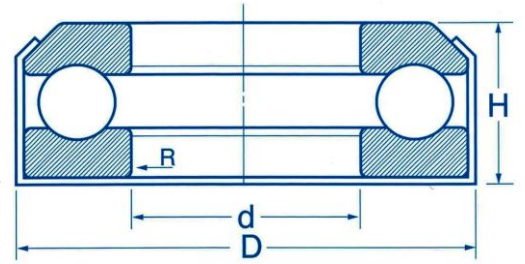


SINGLE DIRECTION THRUST BALL BEARINGS **MRK**

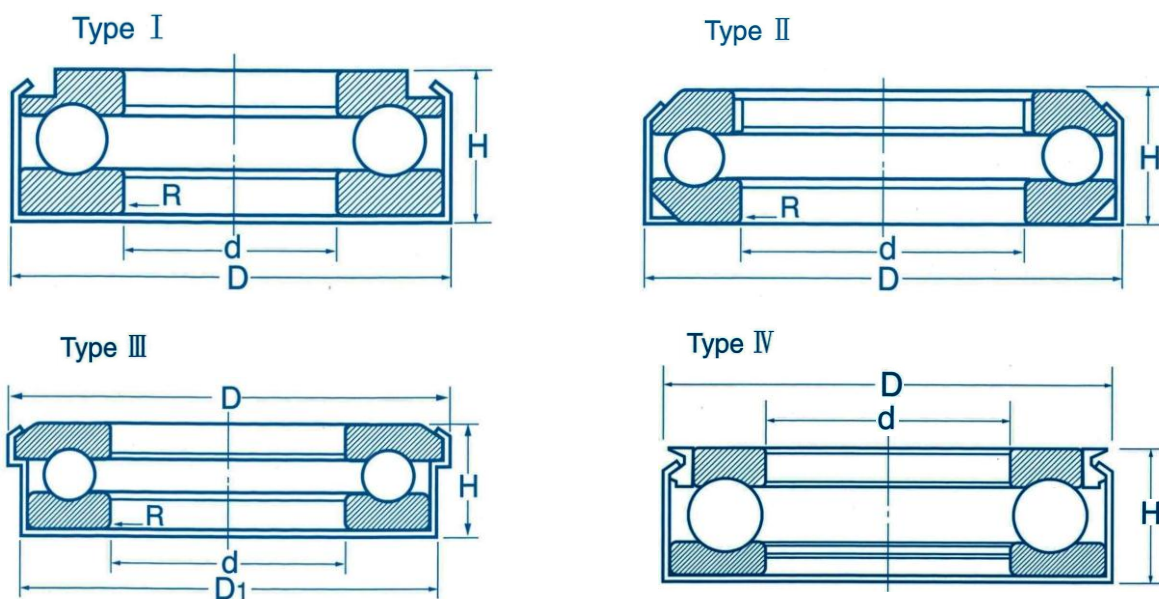
King Pin Thrust Ball Bearing



呼び番号 Bearing No.	主要寸法 Boundary dimensions (mm)			備考 Remarks
	d	$D \begin{smallmatrix} +0.2 \\ 0 \end{smallmatrix}$	$H \pm 0.25$	
51102K	15	29	9.5	
T-19	18.6	39	14.3	
51104N	20	34	10.5	
F-20	20	38	10.5	
Y-22-1	22	40	12.8	
T-23	23.4	42.5	15.8	
25TAG11	25	43.5	11.8	
Y-25-3	25	45	13.8	
T-25-1	25	46	15.8	
25TAG12	25	48.7	15.8	
28TAG12	28	51.6	15.8	
Y-28-2DB	28	54.5	9	
30TAG12	30	53	17	
32TAG12PX1	32.1	57	17	
T-3558	35	62.7	17	
F-35A	35	65	18.3	
35TAG12	35	65	19	The d's and tolerance of fixed circles are same as ones of mobile circles.
TK-35	35.4	65	16.2	The d's and tolerance of fixed circles are same as ones of mobile circles.
TK-35S	35.4	65.88	10.7	The d's and tolerance of fixed circles are same as ones of mobile circles.
TK-66	35.4	65.88	10.7	
Y-38	38.103	65.88	19.431	
T-151	38.4	72	22	Roller type; Dimension is 7.5 × 7.5
40TAG12-1A	40	70	20	
T-40-3	40.2	75.6	20	
TAG45-1	45	72	15	
Y-45	45	72.5	22	
T-909	45	74.5	23	
TAG47-1	47	78	23	
F-50-4	50	75.6	18.8	
TH15-6631	50	75.6	20	

SINGLE DIRECTION THRUST BALL BEARINGS **MRK**

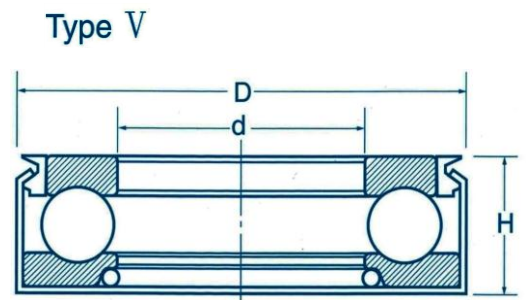
King Pin Thrust Ball Bearings



呼び番号 Bearing No.	主要寸法 Boundary dimensions (mm)			Type	備考 Remarks
	d	$D \begin{smallmatrix} +0.2 \\ 0 \end{smallmatrix}$	$H \pm 0.25$		
TAG20-4A	20	37.2	10.7	IV	
TAG21-1	21	41.5	14.3	I	
25TAG11C	25	43.5	11.8	IV	
O28TAG05-2	28	51.6	17	IV	
F-280	28	54.5	14	III	
T-28S-1	28.15	53	16.4	I	
Y-30Z-1B	30.5	55.8	15.9	II	
T3563RS2	35	62.7	16.8	I	
CRT0752B	35	65	18	I	
X35-21J	35	65	18	I	
T-40S-3	40.2	70	18.8	I	
CRT0953B	45	72.5	22	I	
T5082RS	50	82	21	IV	Should be used with a large cover on "D" in the figure.
TK50RC	50	82	22	I	Roller type; Dimension is 7.5 × 7.5

SINGLE DIRECTION THRUST BALL BEARINGS **MRK**

King Pin Thrust Ball Bearings



呼び番号 Bearing No.	主要寸法 Boundary dimensions (mm)			Type	備考 Remarks
	d	$D \begin{smallmatrix} +0.2 \\ 0 \end{smallmatrix}$	$H \pm 0.25$		
25TAG001	25	45	15.8	V	
Y-25-5B	25	45	13.8	V	
25TAG12C	25	48.7	15.8	V	
25TAG003	25	54.5	9	V	
28TAG003	28	47.4	12	V	
28TAG12A	28	51.6	15.8	V	
30TAG003	30	51.6	13	V	
Y-30-1AB	30	51.6	13.8	V	
30TAG002	30	51.6	15.8	V	
30TAG001	30	51.6	17	V	
T-3563RS5	35	62.7	17.6	V	
35TAG802B	35	65	18.3	V	
40TAG12B1	40	70	20	V	
T4072RS	40	72.5	21	V	Should be used with a large cover on "D" in the figure.
T4075RS	40	74.5	20	V	
45TAG001	45	78	15	V	
47TAG001	47	78	23	V	
50TAG001	50	80	18.8	V	
T5082RSGA2	50	82	24	V	Should be used with a large cover on "D" in the figure.
T5085RS	50	85	20	V	
T508522RS	50	85	22	V	
Y50-9B	50	80	18.8	V	Roller type; Dimension is 7.5 × 7.5
55TAG001K	55	91	26	V	